



ADDENDUM NO. 6

March 29, 2010

TO: ALL BIDDERS

PROJECT: REDEVELOPMENT AGENCY FOR THE COUNTY OF RIVERSIDE
PERRIS VALLEY – BIG LEAGUE DREAMSMIG, INC.
801 N. HARBOR BLVD
FULLERTON, CA 92832

THIS ADDENDUM IS ISSUED AS PART OF THE CONTRACT DOCUMENTS FOR THE ABOVE MENTIONED PROJECT AND AMENDS ONLY THOSE ITEMS SPECIFICALLY DEFINED HEREIN. PLEASE UPDATE YOUR SPECIFICATIONS WITH THE FOLLOWING INFORMATION:

DRAWINGS/SPECIFICATION:ITEM NO. 1:NEW BID DATE AND TIMENew Bid date is April 13th, 2010, 8:30 am at Clerk of the Board, located at 4080 Lemon Street, 1st Floor, Riverside, CA 92501ITEM NO. 2:Poured-in-place Dugout Wall ClarificationPlans Denote: Detail 'P', LD-3.1, Note #14 – P.I.P. Concrete Wall, Detail 'P', Sheet LD-3.3 & Detail 'P', LD-3.2 Note #14 – P.I.P Concrete Wall, Detail 'G', Sheet LD-3.4
Both shall read: P.I.P. Concrete Wall, Detail 'O', Sheet LD-3.3ITEM NO. 3:Minor League Homerun Fence Clarification

Detail 'G', LD-1.1, note 7: states 8' high homerun fence. Minor League Homerun Fence shall be 10' high. See attached detail clarification.

ITEM NO. 4:Sheet E-1.0 Electrical Site Power Plan

Perimeter gate at the southwest corner of Minor League Field "A" shall be provided with two perimeter sensors, a siren and required conduit and cabling to the security control panel at the Administration Building (Plan Notes 20 and 26)



ITEM NO. 5:

Sheet E-1.3 Electrical Site Power Plan

Perimeter gate east of Angel Stadium shall be provided with two perimeter sensors, a siren and required conduit and cabling to the security control panel at the Administration Building. (Plan notes 20 and 26)

ITEM NO. 6:

Sheet E-1.5 Electrical Site Power Plan

Perimeter gate between Fenway Park and Angel Stadium shall be provided with two perimeter sensors, a siren and required conduit and cabling to the security control panel at the Administration Building. (Plan notes 20 and 26)

ITEM NO. 7:

Sheet EB-3.2 Administration Building Power Plan

Add two duplex receptacles in Office A109 for the CCTV System Equipment. Each receptacle shall be on dedicated circuit, circuits LA-34 and LA-36.

ITEM NO. 8:

Sheet EB-3.3 Administration Building Signal Plan

Add a digital video recorder next to the monitor in Office A109.

ITEM NO. 9:

Landscape Materials List – LM-1: Change Synthetic Turf Specification to Sportexe – Omnigrass 41 2". Replace Momentum 41 2".

ITEM NO. 10:

Sand/Peat Rootzone Clarification Detail. Refer to attached sketch of rootzone clarification for Natural Turf Ballfields.



ACKNOWLEDGEMENTS

The bidder, in submitting the bid, shall acknowledge in the bid documents submitted the receipt of this Addendum. Should an acknowledgement not be made in the bid, the bid will not be considered by the County.

Bidder's Certificate: This certificate must be signed and returned together with the bid proposal, otherwise the submitted bid shall be considered incomplete.

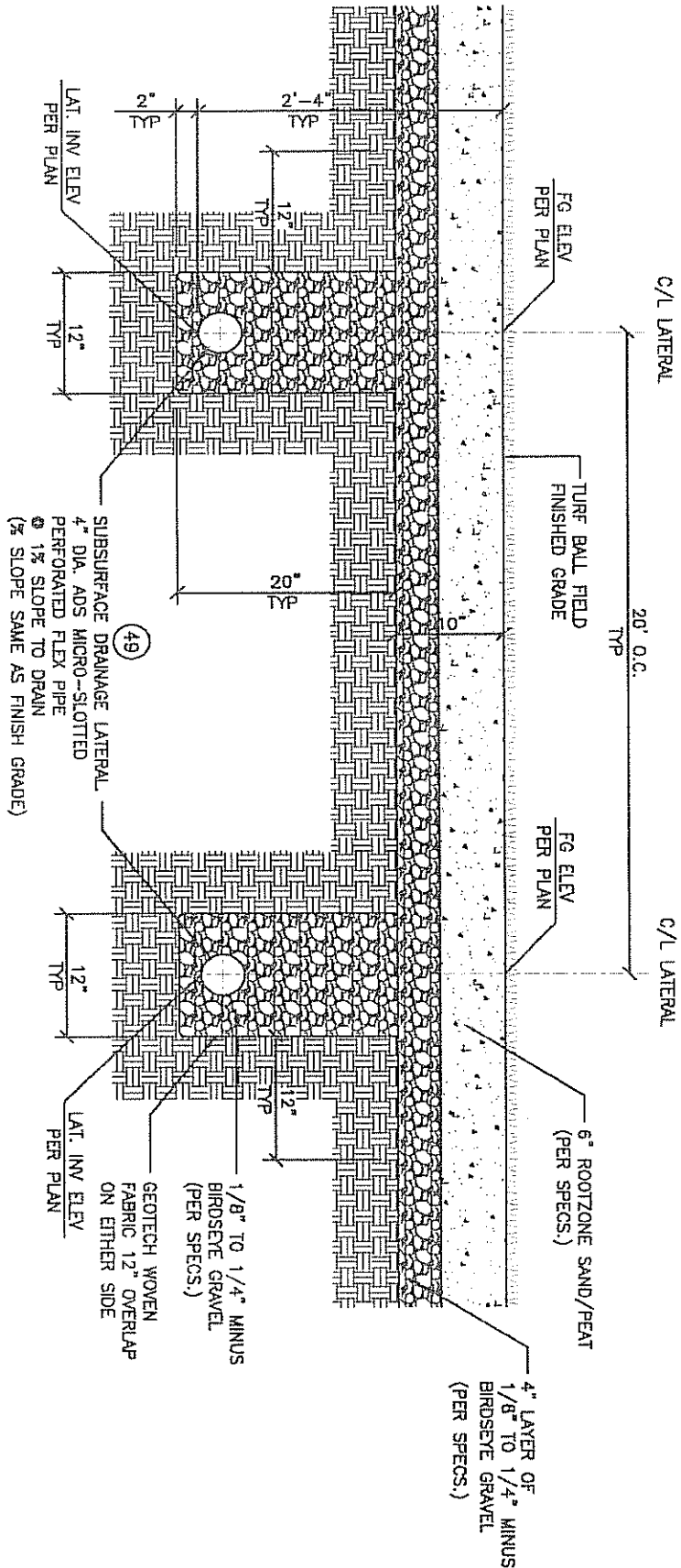
I ACKNOWLEDGE RECEIPT OF THIS ADDENDUM #6 AND I ACCEPT THE AFOREMENTIONED CONDITIONS.

DATE: _____

COMPANY: _____

SIGNATURE: _____

TITLE: _____



49
 4" SUBDRAIN PERFORATED PIPE DETAIL
 NO SCALE

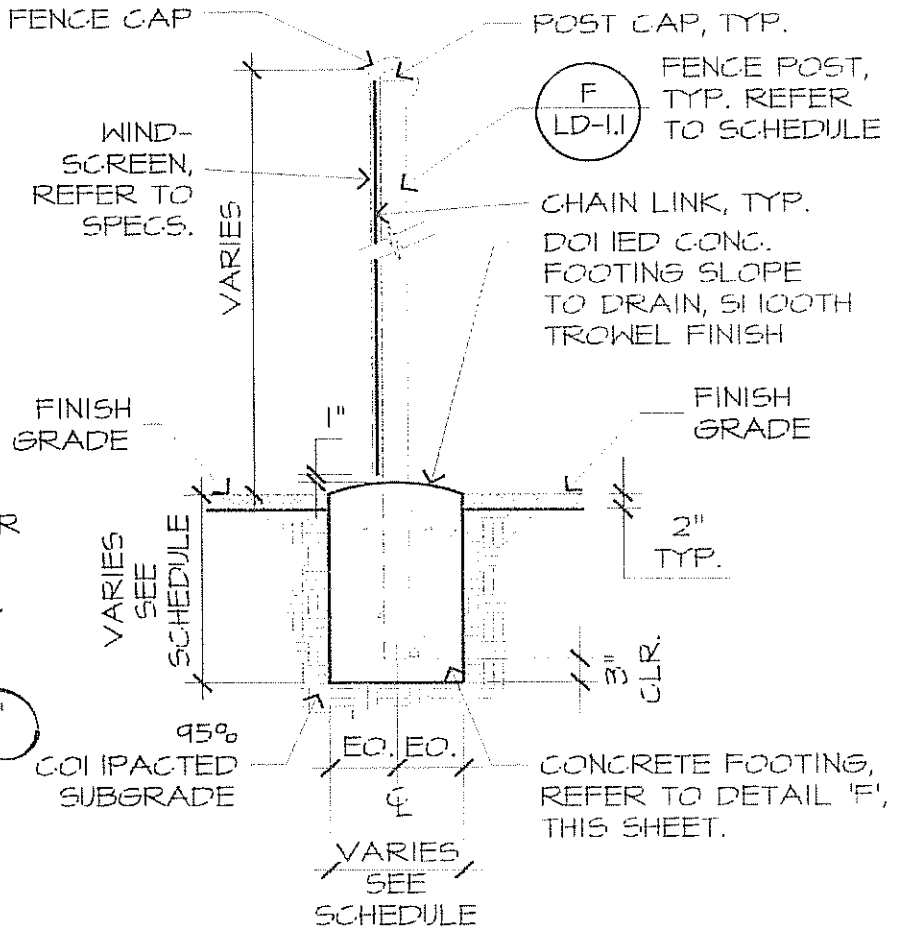
ADDENDUM #6
 SAND/PEAT ROOTZONE
 CLARIFICATION
 03-29-10
 SHEET C3.9, DETAIL 49

PERRIS VALLEY BIG LEAGUE DREAMS
 2155 TRUMBLE ROAD
 PERRIS, CALIFORNIA 92570

MOORE JACOBSON ROLFSMAN, INC.
 100 N. SHENANDOAH BLVD.
 PULVERVILLE, CA 95129
 TEL: 774.607.0970
 FAX: 774.607.0970
 WWW.MIG-INC.COM

NOTES:

1. ALL CHAIN LINK FENCE SHALL BE 2" MESH 9 GAUGE
2. ALL CHAIN LINK FABRIC SHALL BE KNUCKLED SALVAGE TOP AND BOTTOM
3. REFER TO CALLOUT PLAN FOR HEIGHT OF FENCE.
4. SEE SCHEDULE F
LD-1.1
5. ALL FENCING SHALL HAVE RAILING AT TOP & BOTTOM
6. REFER TO CALLOUT PLAN FOR LOCATION OF C.L.F. W/ WINDSCREEN ATTACHED ON THE SIDE INDICATED BY THE AGENCY REPRESENTATIVE
7. ALL 42" HIGH FENCE & ALL 10' HIGH HOMERUN FENCE @ MINOR LEAGUE FIELDS SHALL BE FURNISHED W/ PVC FENCE CAP. REFER TO SPECS. COLOR TO BE DETERMINED.



ADDENDUM #6
 MINOR LEAGUE HOMERUN
 FENCE CLARIFICATION
 03-29-10
 DETAIL 'G', SHEET LD-1.1

PERRIS VALLEY BIG LEAGUE DREAMS
 2155 TRUMBLE ROAD
 PERRIS, CALIFORNIA 92570

MIG
 MOORE JOHNSON GOLFMAN, INC.
 200 N. GARDEN BLVD. / P.O. BOX 1000
 P.O. BOX 1000 / PERRIS, CA 92570
 TEL: (951) 261-1111 / FAX: (951) 261-1112
 WWW.MIGCORP.COM